



PS112 ND3

12" Point Source

1 x 12NTLW3500 + ND3T





PS112 ND3 | SPEAKERS

12NTLW3500 8Ω

SPECIFICATIONS

| | |
|--|------------------|
| Nominal Diameter | 300 mm (12.0 in) |
| Nominal Impedance | 8 Ω |
| Minimum Impedance | 5.8 Ω |
| Nominal Power Handling ¹ | 900 W |
| Continuous Power Handling ² | 1800 W |
| Sensitivity ³ | 97.0 dB |
| Frequency Range | 50 - 3000 Hz |
| Voice Coil Diameter | 88 mm (3.5 in) |

KEY FEATURES

- 97 dB SPL 1W / 1m average sensitivity
- 88 mm (3") ISV voice coil
- 900 W AES power handling
- Extremely balanced BL shape for maximum SPL
- Optimized thermal conductivity
- Maximum linearity and inductance symmetry for extended mid-band clarity
- Ideal for two-ways and line array applications



PARAMETERS⁴

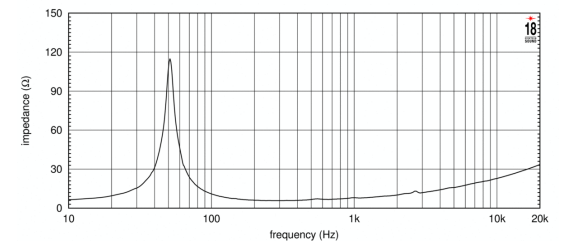
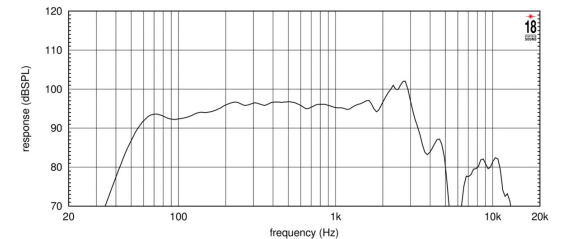
| | |
|---------------------|--|
| Resonance Frequency | 53 Hz |
| Re | 5.1 Ω |
| Qes | 0.35 |
| Qms | 8.0 |
| Qts | 0.33 |
| Vas | 45.0 dm ³ (1.59 ft ³) |
| Sd | 531.0 cm ² (82.31 in ²) |
| η _o | 1.8 % |
| Xmax | 8.3 mm |
| Mms | 80.0 g |
| Bl | 19.5 Txm |
| Le | 0.46 mH |
| EBP | 151 Hz |

DESIGN

| | |
|-----------------------|--|
| Surround Shape | Triple roll |
| Cone Shape | Curvilinear |
| Magnet Material | Neo |
| Recommended Enclosure | 50.0 dm ³ (1.77 ft ³) |
| Recommended Tuning | 58 Hz |

MOUNTING AND SHIPPING INFO

| | |
|-----------------------------|--------------------|
| Overall Diameter | 310 mm (12.2 in) |
| Bolt Circle Diameter | 295 mm (11.61 in) |
| Baffle Cutout Diameter | 282.0 mm (11.1 in) |
| Depth | 193 mm (7.6 in) |
| Flange and Gasket Thickness | 13 mm (0.53 in) |
| Net Weight | 4.7 kg (10.36 lb) |
| Shipping Weight | 5.5 kg (12.13 lb) |



1. 2 hours test made with continuous pink noise signal within the range Fs-10Fs. Power calculated on rated minimum impedance. Loudspeaker in free air.
 2. Power on Continuous Program is defined as 3 dB greater than the Nominal rating.
 3. Applied RMS Voltage is set to 2.83 V for 8 ohms Nominal Impedance.
 4. Thiele-Small parameters are measured after a high level 20 Hz sine wave preconditioning test.



PS112 ND3 | SPEAKERS

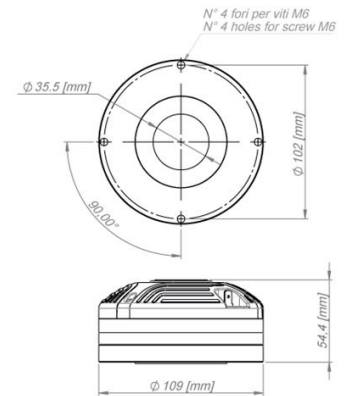
ND3T 8Ω

SPECIFICATIONS

| | |
|--|----------------|
| Throat Diameter | 36 mm (1.4 in) |
| Nominal Impedance | 8 Ω |
| Minimum Impedance | 6.4 Ω |
| Nominal Power Handling ¹ | 110 W |
| Continuous Power Handling ² | 220 W |
| Sensitivity ³ | 112.0 dB |
| Frequency Range | 0.8 - 20.0 kHz |
| Recommended Crossover ⁴ | 1.2 kHz |
| Voice Coil Diameter | 75 mm (3.0 in) |
| Winding Material | Aluminum |
| Diaphragm Material | Titanium |
| Flux Density | 2.0 T |
| Magnet Material | Neodymium |

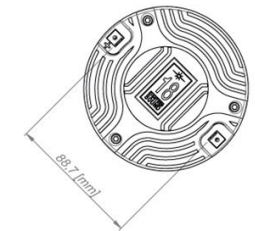
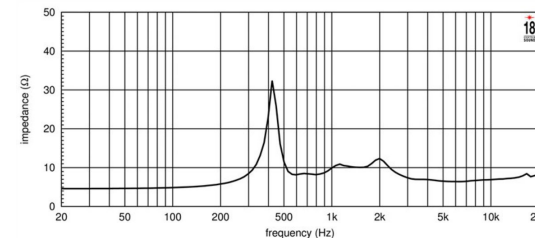
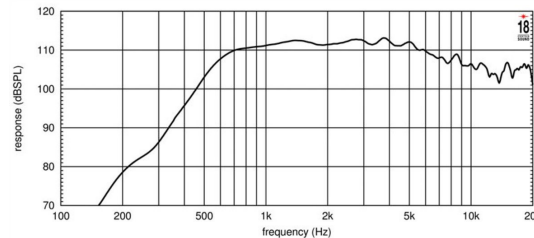
KEY FEATURES

- Ultra compact design (OD 109mm - 4.3 in)
- 112 dB SPL 1W-1m average sensitivity
- 1.4 inch exit throat
- 220W maximum program power handling
- Natural Sound frequency response extended up to 20 kHz
- Next-gen 4-slot metal alloy phase plug
- Edge-wound 75mm (3 in) CCAW voice coil
- Titanium diaphragm assembly
- Neodymium ring magnetic structure
- Copper ring for reduced distortion and increased output
- Self-centering d-kit for accurate and fast service



MOUNTING AND SHIPPING INFO

| | |
|-----------------------------|--------------------|
| Overall Diameter | 310 mm (12.2 in) |
| Bolt Circle Diameter | 295 mm (11.61 in) |
| Baffle Cutout Diameter | 282.0 mm (11.1 in) |
| Depth | 193 mm (7.6 in) |
| Flange and Gasket Thickness | 13 mm (0.53 in) |
| Net Weight | 4.7 kg (10.36 lb) |
| Shipping Weight | 5.5 kg (12.13 lb) |



1. 2 hour test made with continuous pink noise signal within the range from the recommended crossover frequency to 20 kHz.. Power calculated on rated nominal impedance.
 2. Power on Continuous Program is defined as 3 dB greater than the Nominal rating.
 3. Applied RMS Voltage is set to 2.83 V for 8 ohms Nominal Impedance.
 4. 12 dB/oct. or higher slope high-pass filter.



PS112 ND3 | HORNS

XR1496C

90° (h) x 60° (v) constant coverage

KEY FEATURES

- 1.4 inch throat entry
- High damping composite structure
- Uniform on-axis and off-axis frequency response
- 90° x 60° horizontal and vertical constant coverage
- Very low distortion at high sound pressure
- Optimized weight thanks to composite material structure

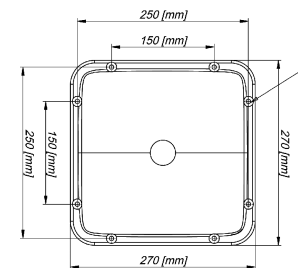
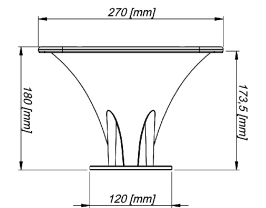
SPECIFICATIONS

Throat Diameter 35,5 mm (1,4 in)
 Horizontal Coverage -6db 90° (15-10) avg range (1,25kHz - 12,5kHz)
 Vertical Coverage -6db 60° (18-12) avg range (1,25kHz - 12,5kHz)
 Directivity Index 9dB (1.8-1,2) average range (1,25kHz - 12,5kHz)
 Usable Frequency Range Above 800 Hz
 Recomm. Xover Frequency 800 Hz or more
 Material Composite material



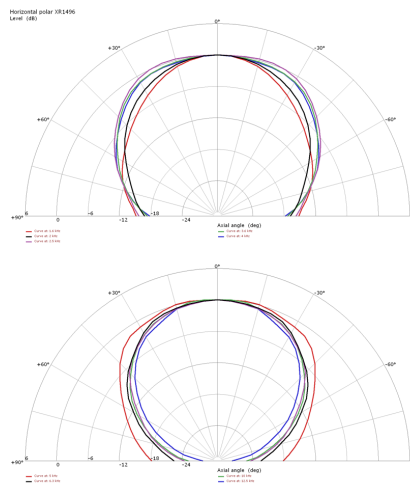
MOUNTING AND SHIPPING INFO

Baffle Cutout Dimension 240x240x180 mm (9.45x9.45x7.09 in)
 Net Weight 1.4 kg (3.09 lb)

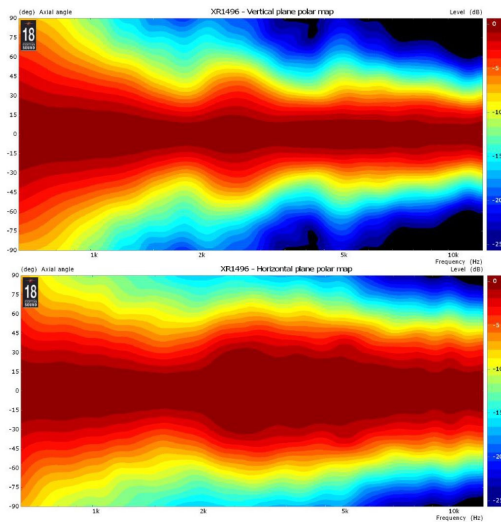
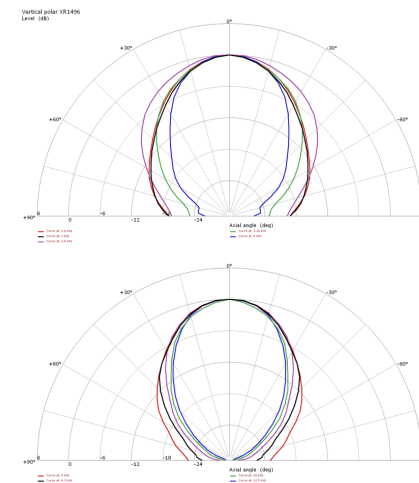


nr 8 holes for railhead screws M8

HORIZONTAL 1/3 OCTAVE POLAR PLOTS



VERTICAL 1/3 OCTAVE POLAR PLOTS





PS112 ND3 | HORNS

XR1464C

60° (h) x 40° (v) constant coverage

KEY FEATURES

- 1.4 inch throat entry
- High damping composite structure
- Uniform on-axis and off-axis frequency response
- 60° x 40° horizontal and vertical constant coverage
- Very low distortion at high sound pressure
- Optimized weight thanks to composite material structure

SPECIFICATIONS

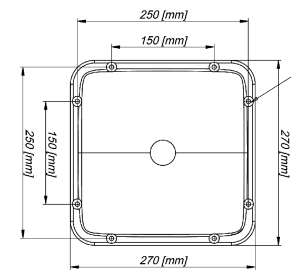
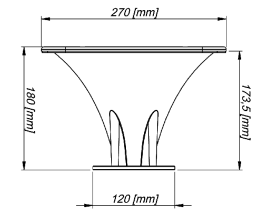
Throat Diameter
Horizontal Coverage -6db
Vertical Coverage -6db
Directivity Index
Usable Frequency Range
Recomm. Xover Frequency
Material

35,5 mm (1,4 in)
60° (10-2) avg range (1,25kHz - 12,5kHz)
40° (25-0) avg range (1,25kHz - 12,5kHz)
11dB (2-1) average range (1,25kHz - 12,5kHz)
Above 800 Hz
800 Hz or more
Composite material



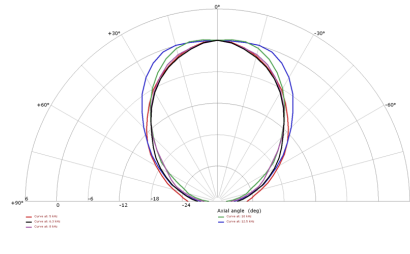
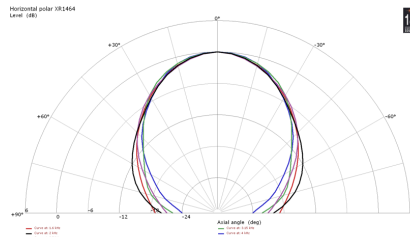
MOUNTING AND SHIPPING INFO

Baffle Cutout Dimension 240x240x180 mm (9.45x9.45x7.09 in)
Net Weight 1.4 kg (3.09 lb)

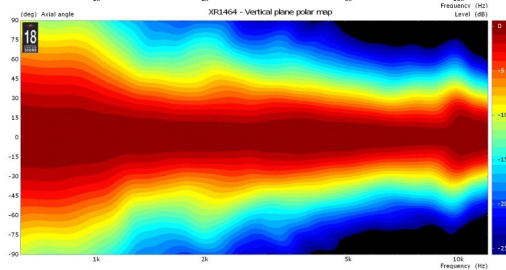
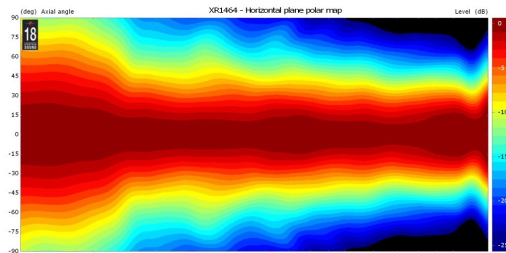
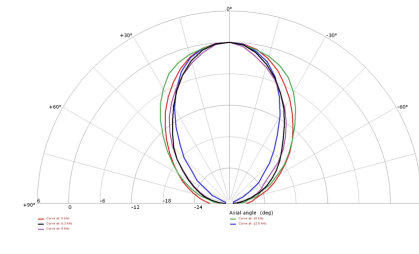
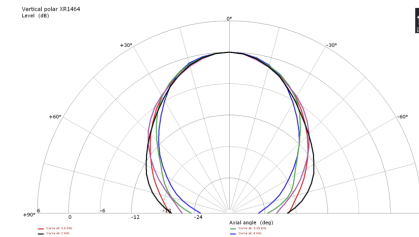


nr 8 holes for railhead screws M8

HORIZONTAL 1/3 OCTAVE POLAR PLOTS



VERTICAL 1/3 OCTAVE POLAR PLOTS





PS112 ND3 | BILL OF MATERIALS

- 1x 12NTLW3500 – 8 ohm
- 1x ND3 – 8 ohm
- 1x XR1496C or XR1464
- 1x Adapter 1.4 - 1.5
- 16x M5 Wood T-Nuts
- 8x M5 Hex socket head ISO 4762 with washer and grower
- 8x M5 Hex sochet CTSK head ISO 10642
- 2x Neutrik NL4MP
- Edilfiber damping material 30mm - 30kg/m³
- Wood: 15mm Birch plywood



PS112 ND3

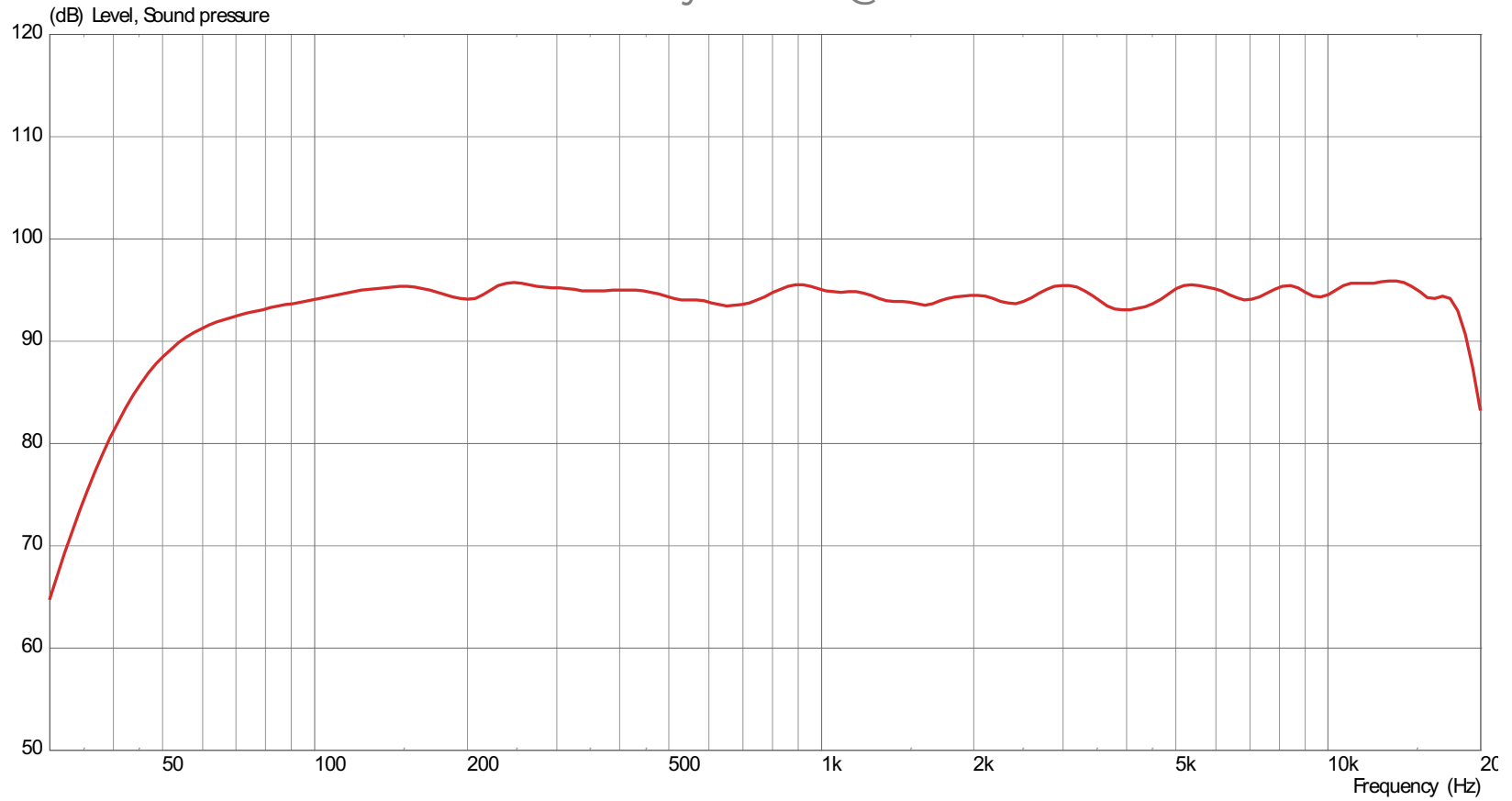
Version with XR1496C Horn



PS112 ND3 | MEASUREMENTS

Sensitivity 2.83V @1m

With Preset

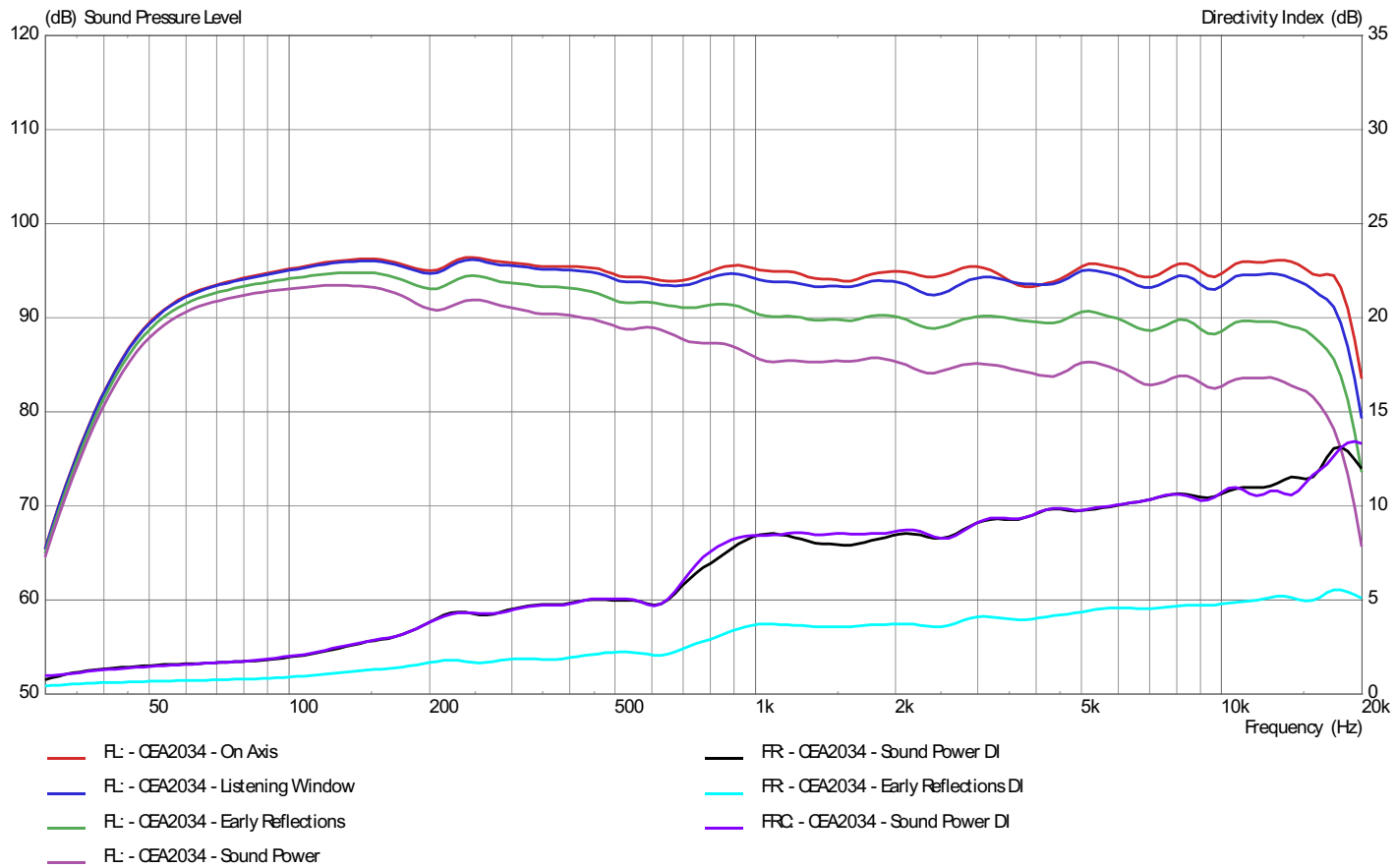




PS112 ND3 | MEASUREMENTS

CEA2034

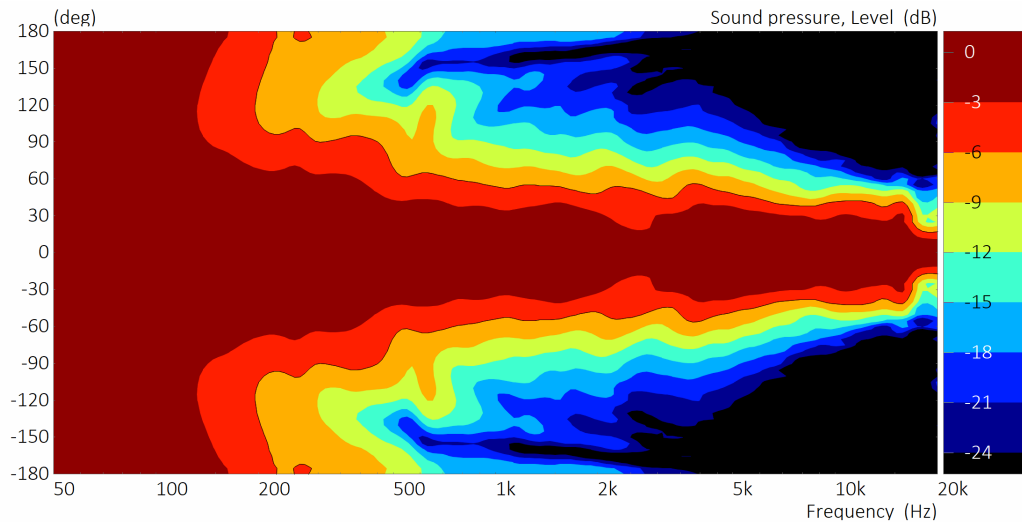
With Preset



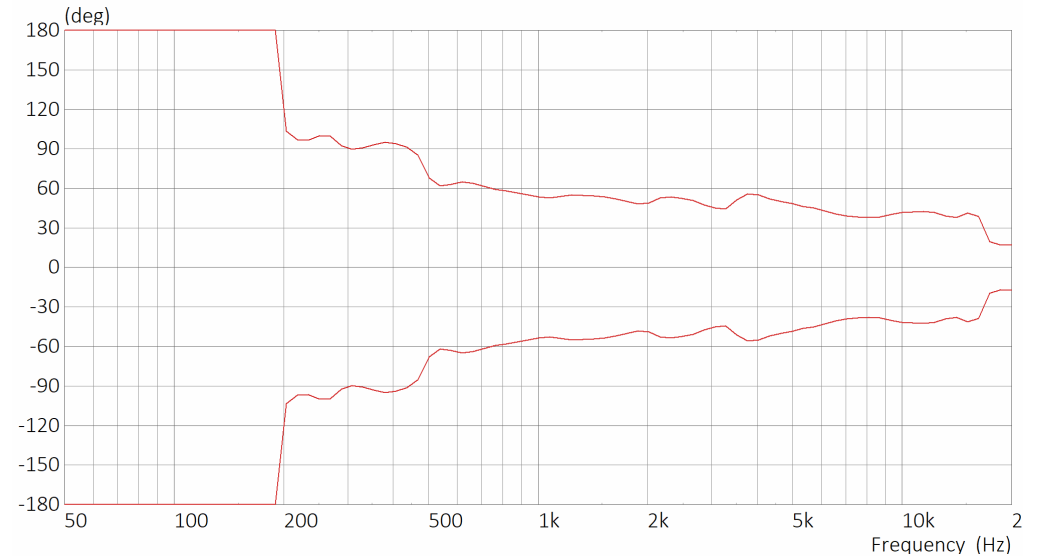


PS112 ND3 | MEASUREMENTS

Horizontal Contour



-6dB Beamwidth

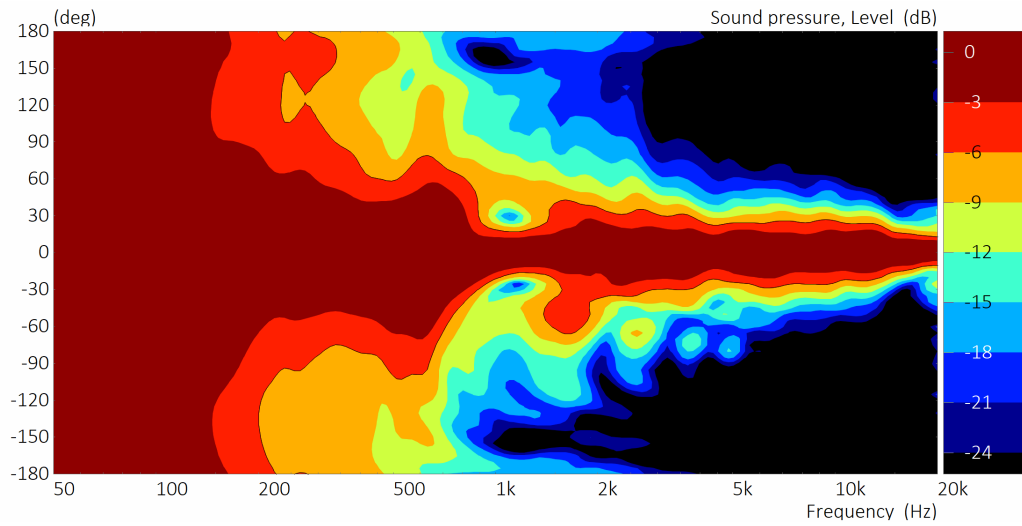


With Preset

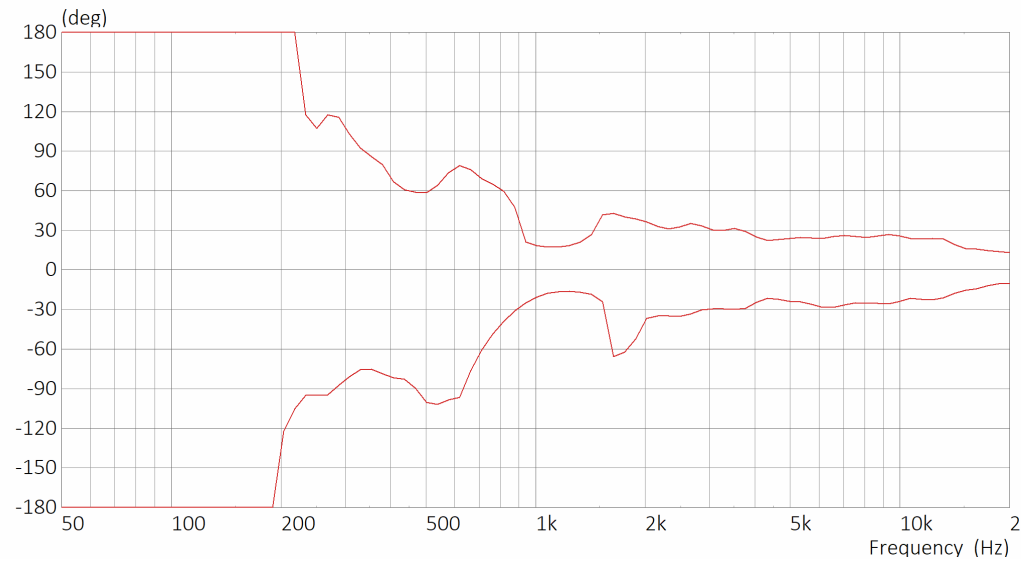


PS112 ND3 | MEASUREMENTS

Vertical Contour



-6dB Beamwidth

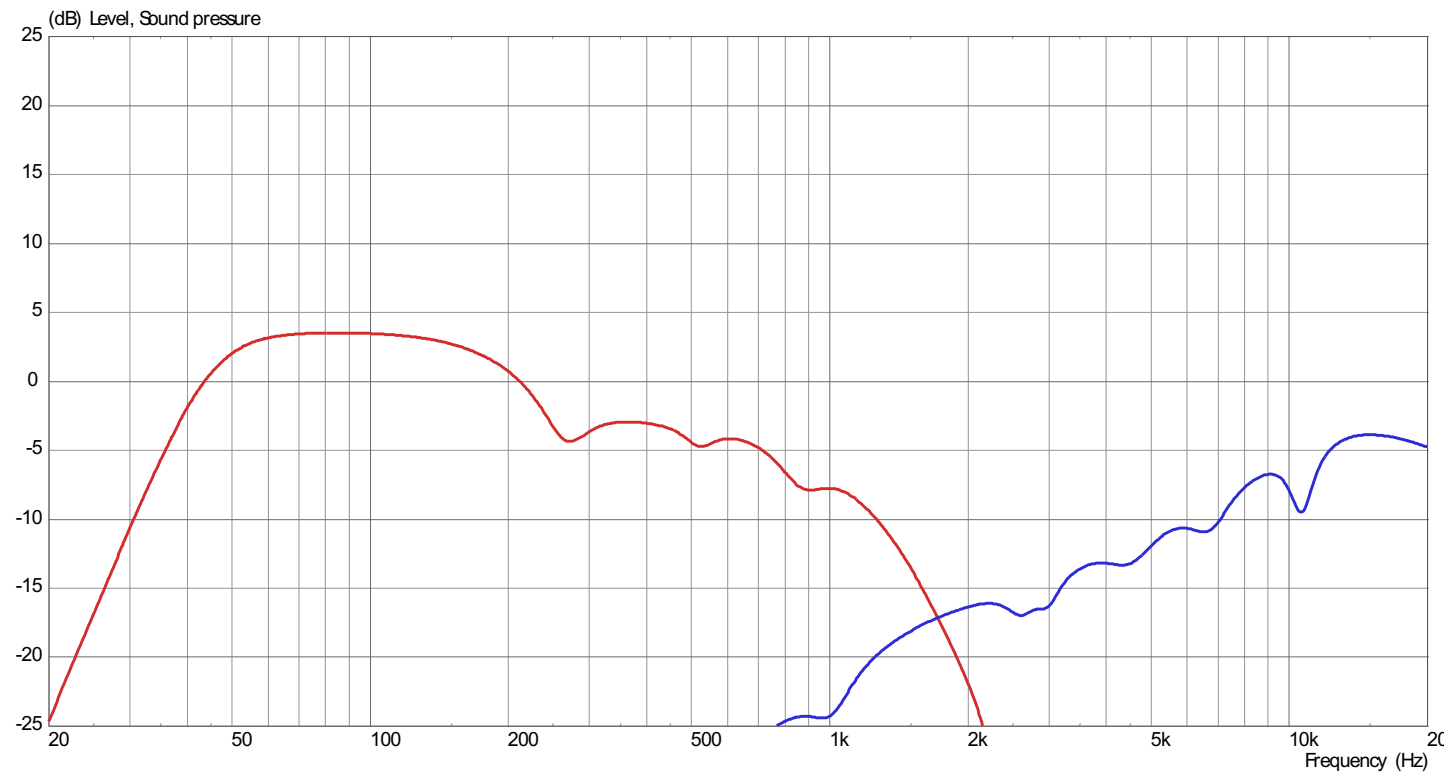


With Preset



PS112 ND3 | PROCESSING

LF & HF



Transfer Function



PS112 ND3

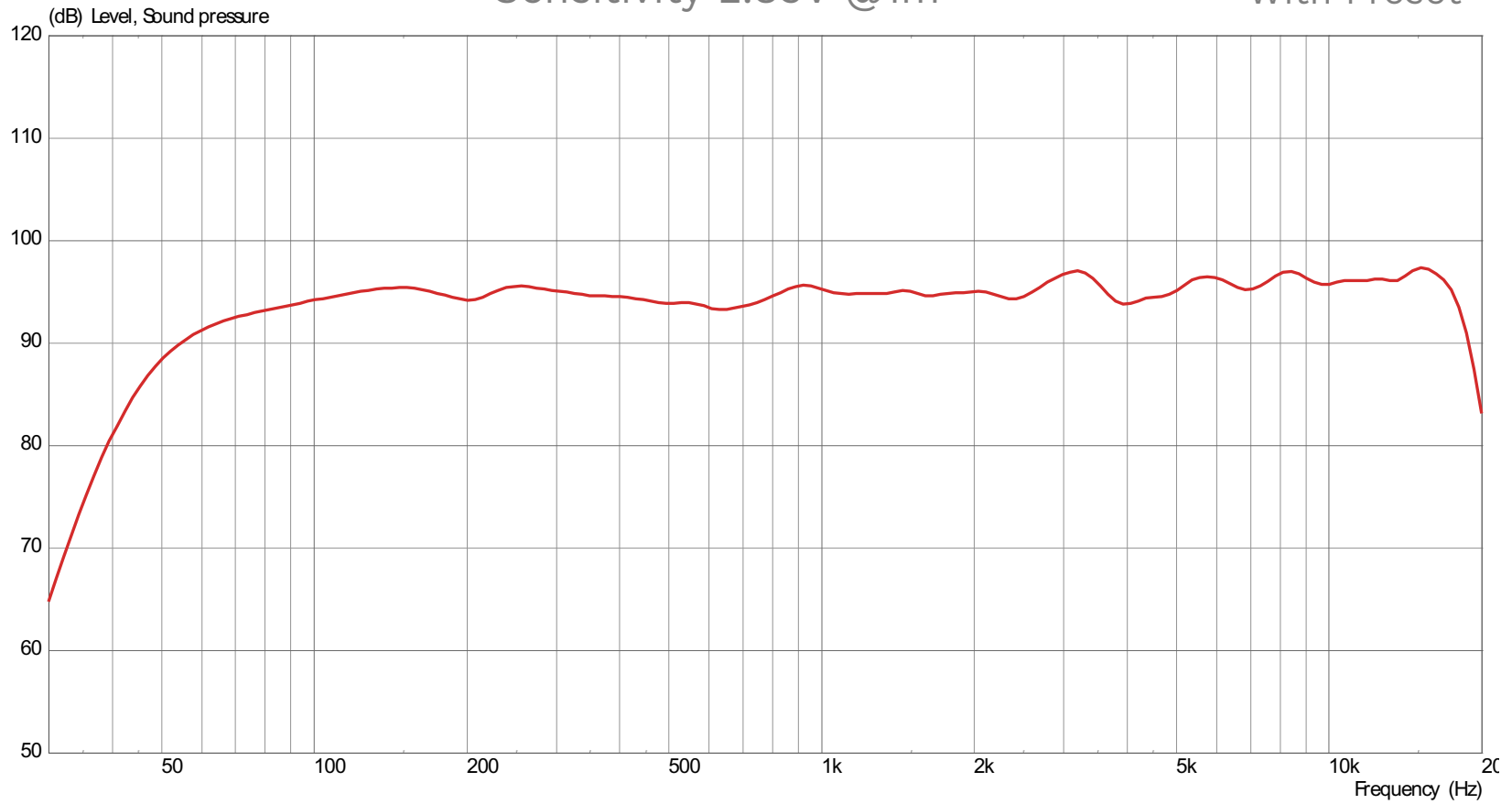
Version with XR1464C Horn



PS112 ND3 | MEASUREMENTS

Sensitivity 2.83V @1m

With Preset

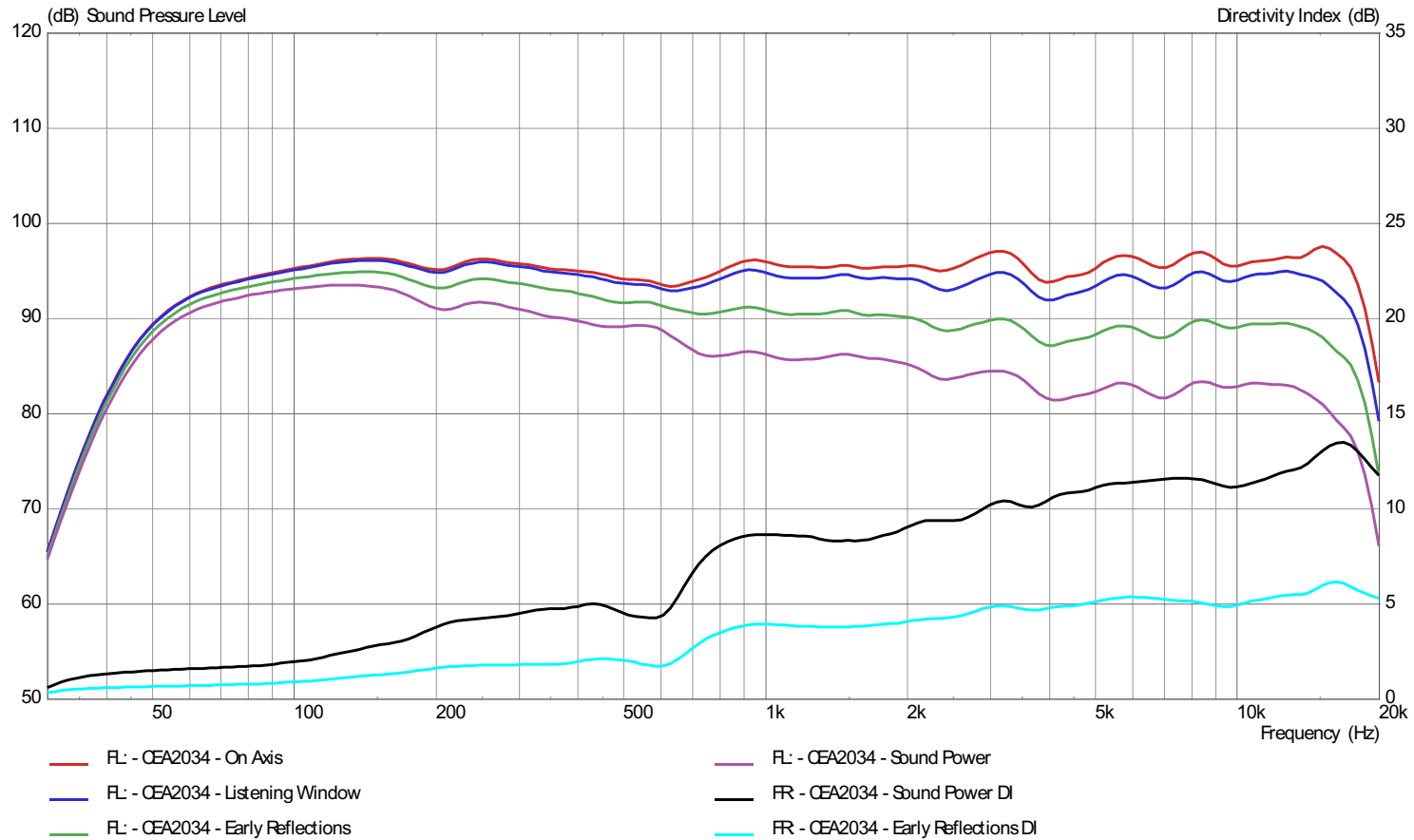




PS112 ND3 | MEASUREMENTS

CEA2034

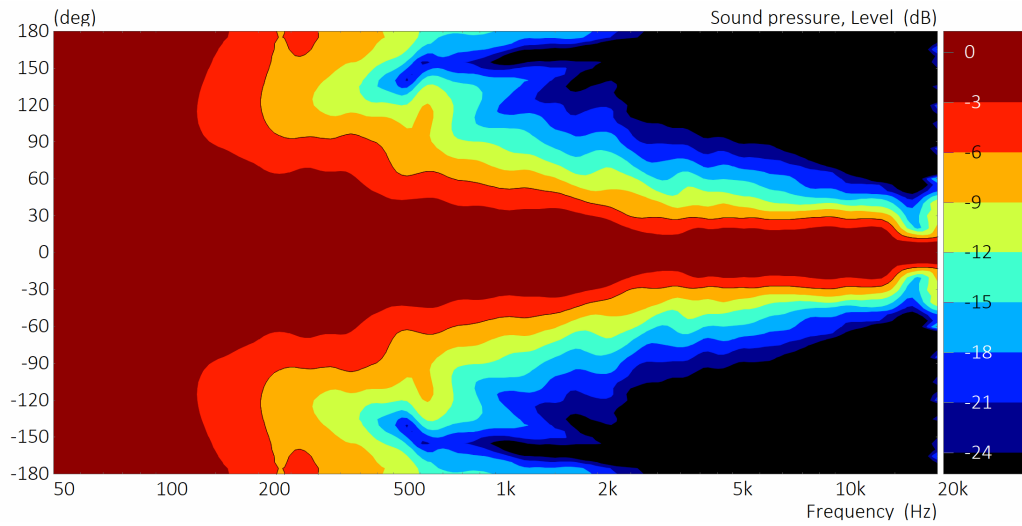
With Preset



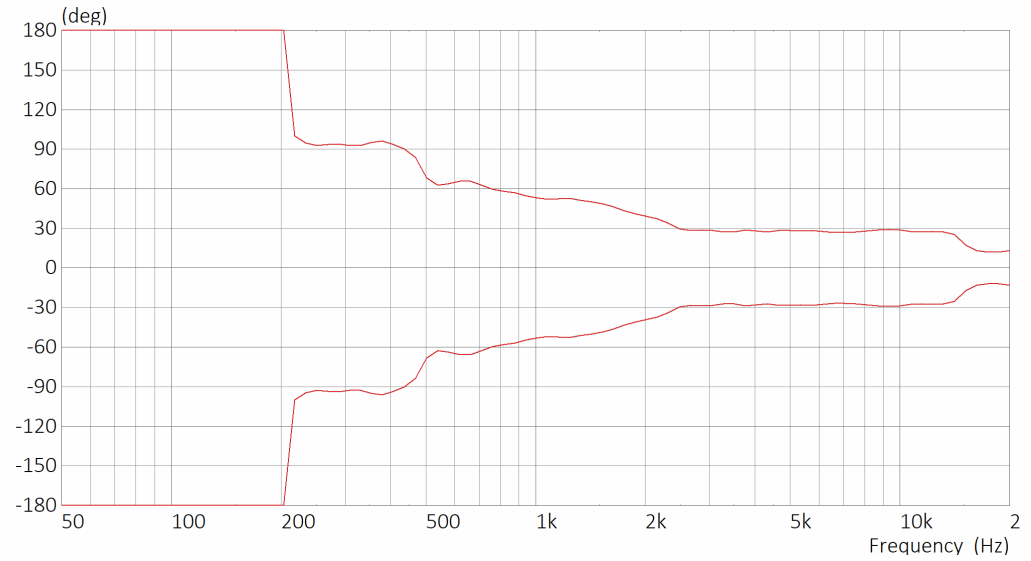


PS112 ND3 | MEASUREMENTS

Horizontal Contour



-6dB Beamwidth

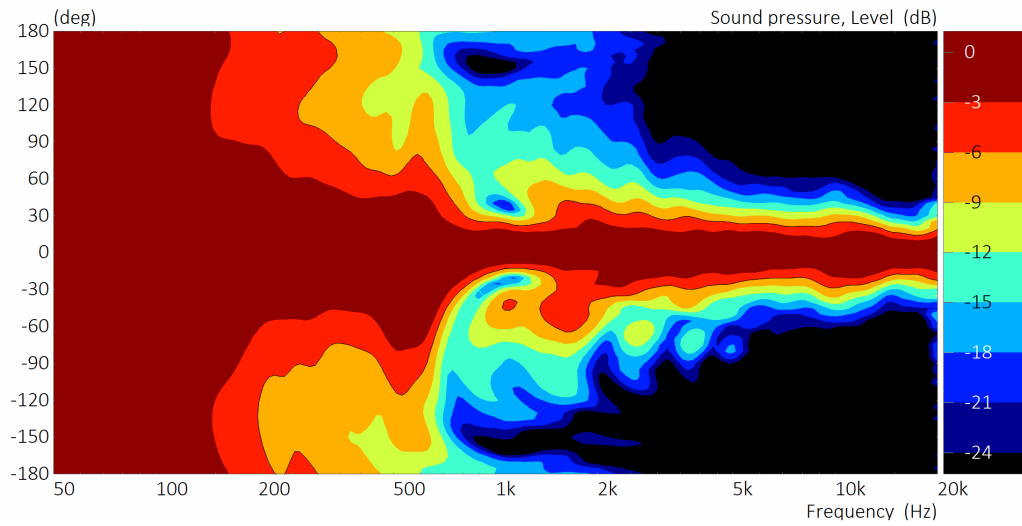


With Preset

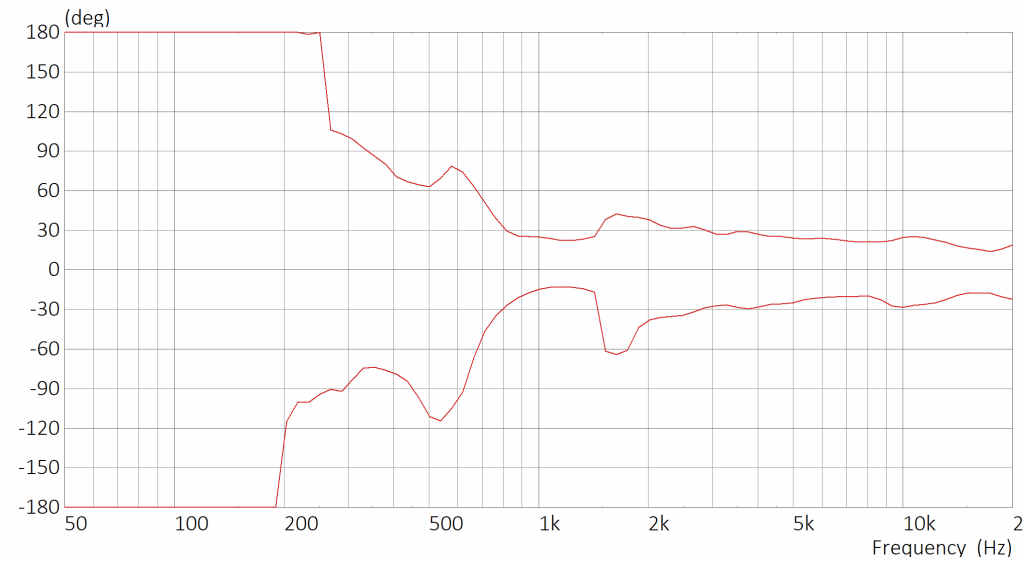


PS112 ND3 | MEASUREMENTS

Vertical Contour



-6dB Beamwidth

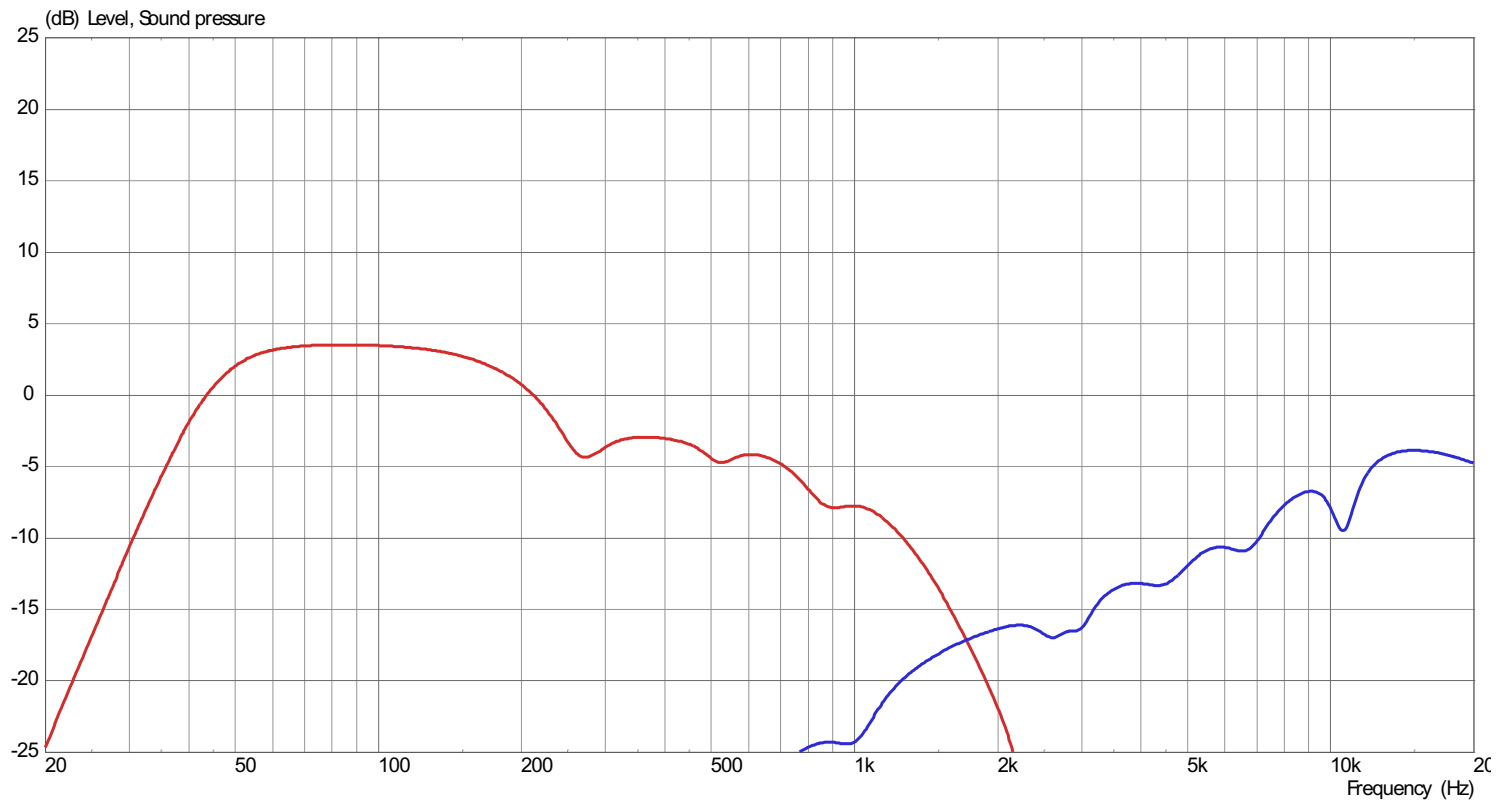


With Preset



PS112 ND3 | PROCESSING

LF & HF



Transfer Function



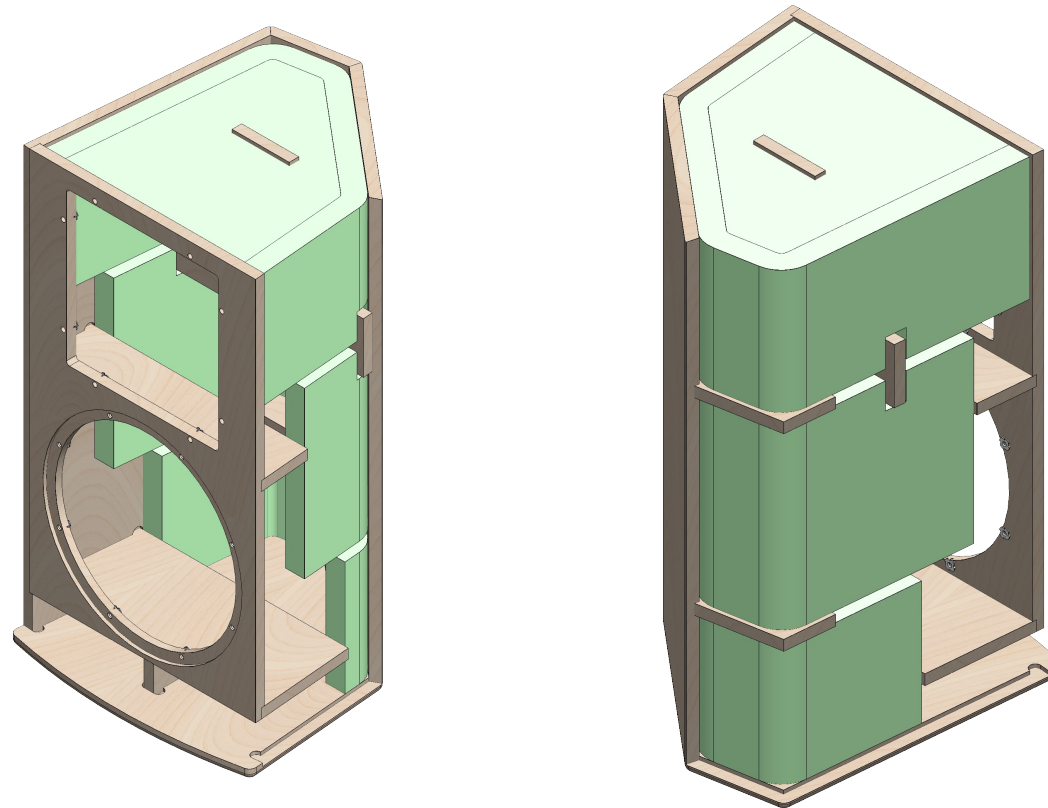
PS112 ND3

Assembly Information



PS112 ND3 | DAMPING MATERIAL

Edilfiber (Polyester) 30kg/m³ – 30mm thick

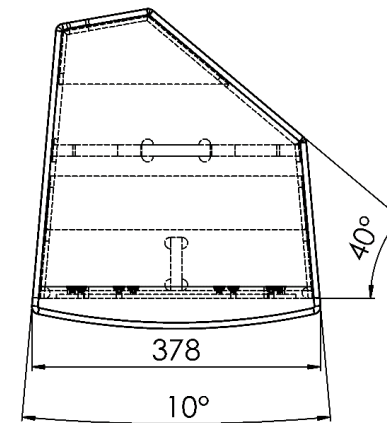
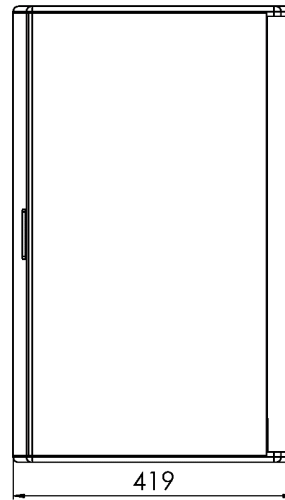
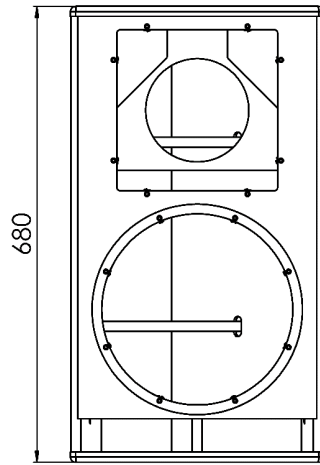


Follow carefully the quantity and positioning



PS112 ND3 | DIMENSIONS

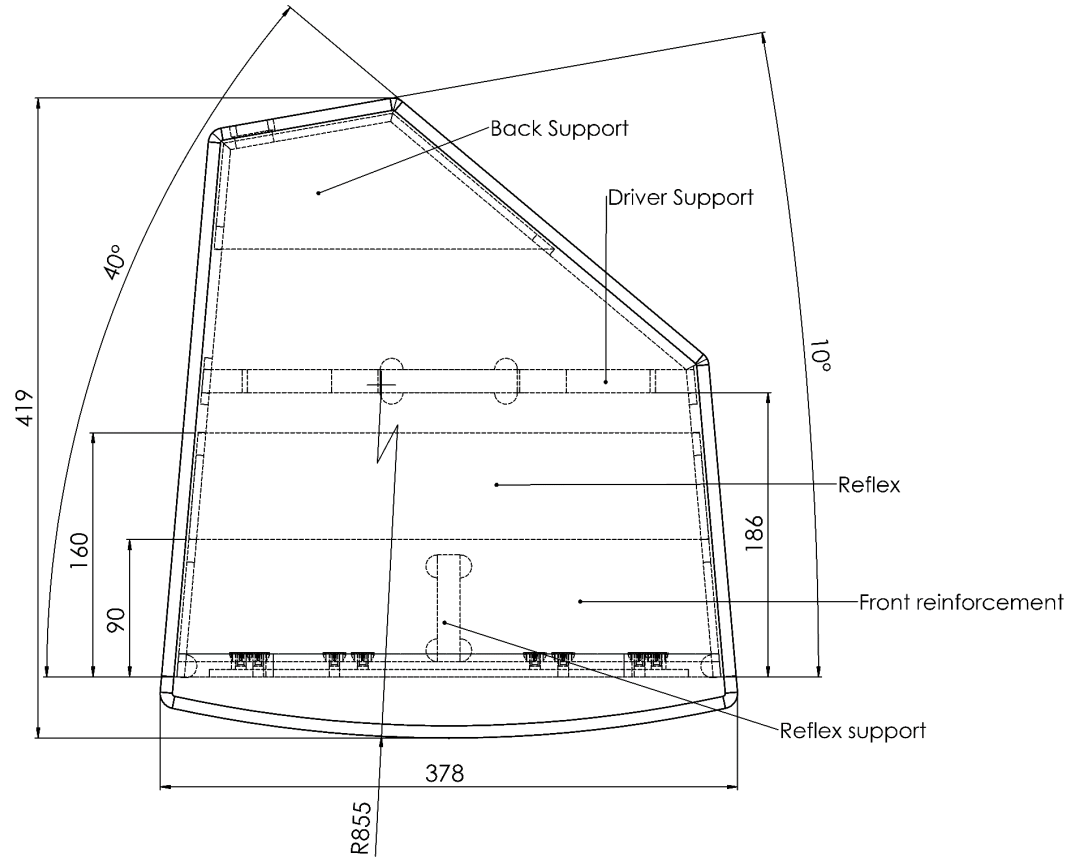
Total dimensions





PS112 ND3 | DIMENSIONS

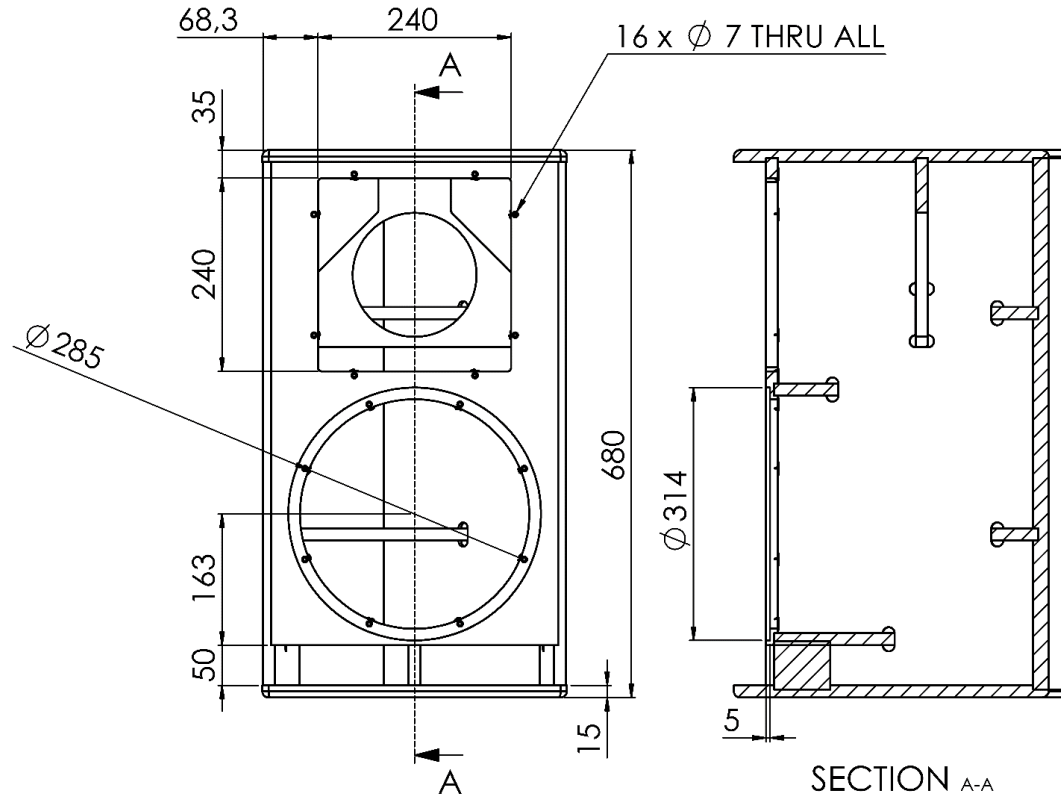
Top View





PS112 ND3 | DIMENSIONS

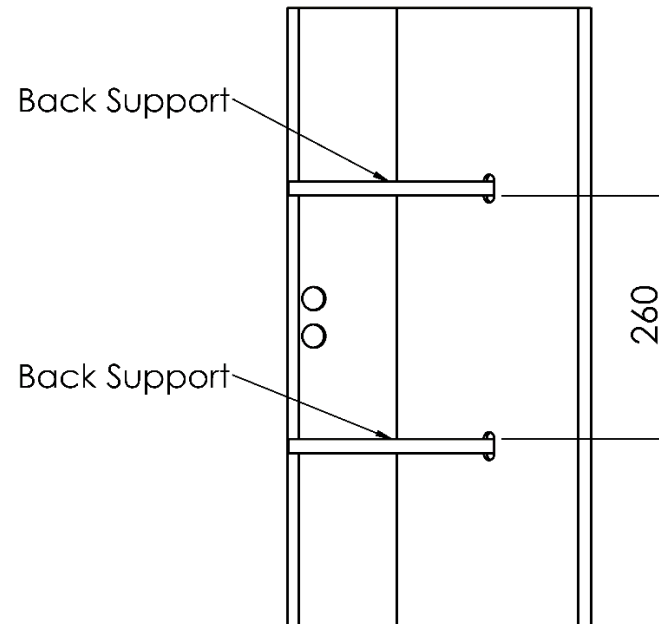
Front View





PS112 ND3 | DIMENSIONS

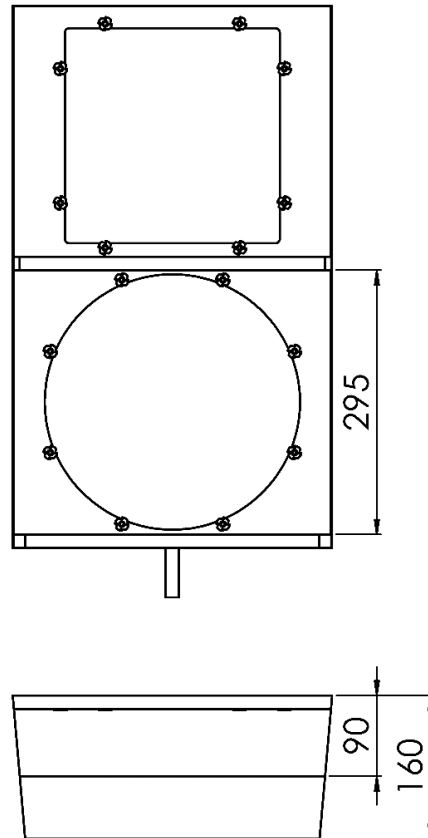
Back View





PS112 ND3 | DIMENSIONS

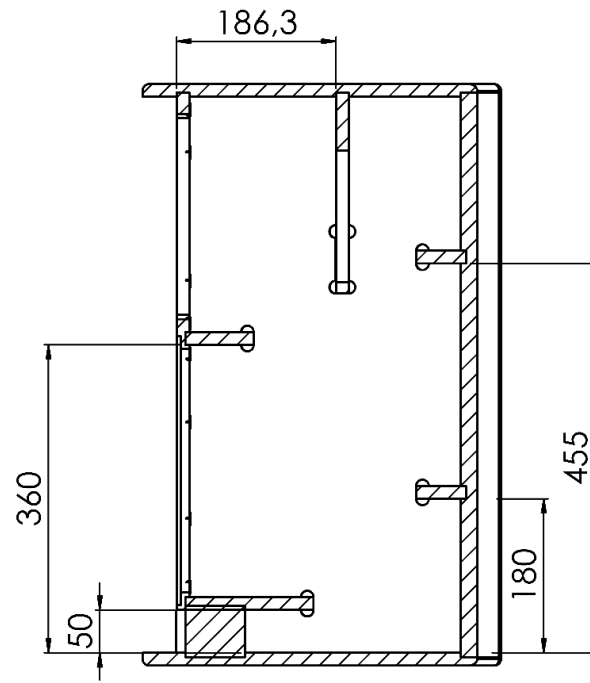
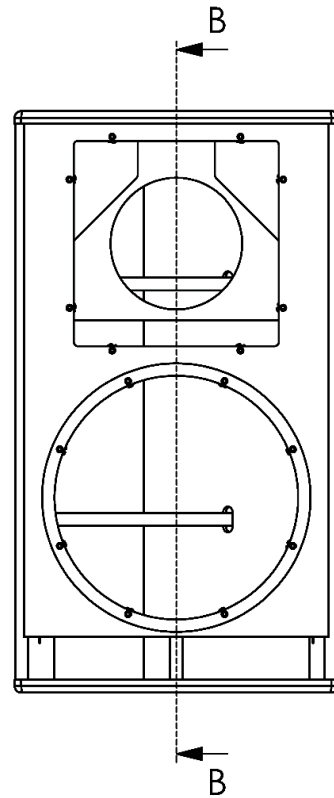
Baffle View





PS112 ND3 | DIMENSIONS

Side View

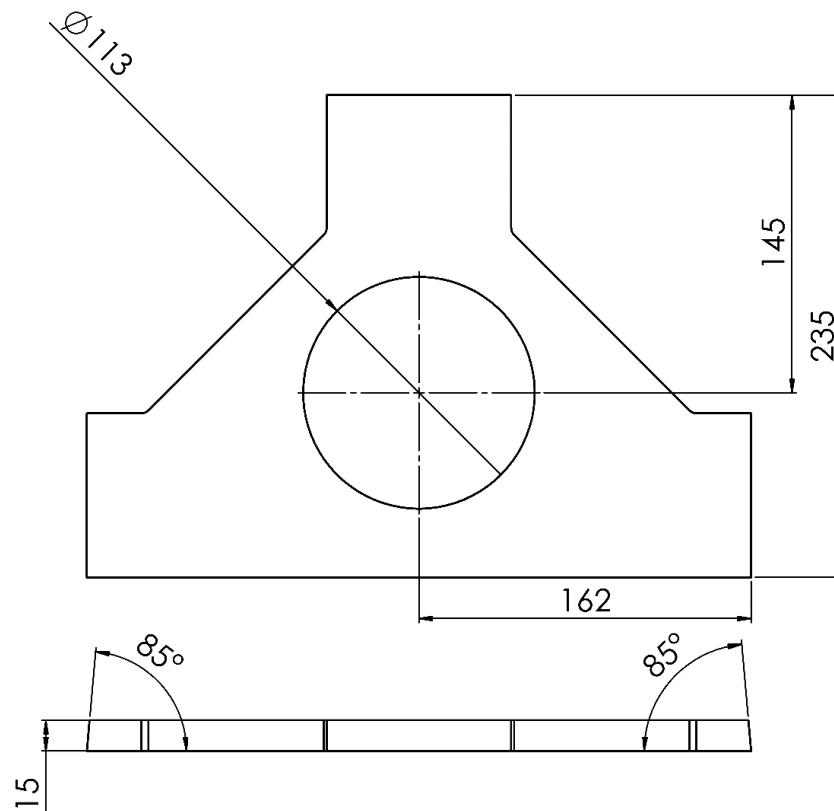


SECTION B-B



PS112 ND3 | DIMENSIONS

HF Driver Support





PS112 ND3 | NOTES